



Stand for mitre saw



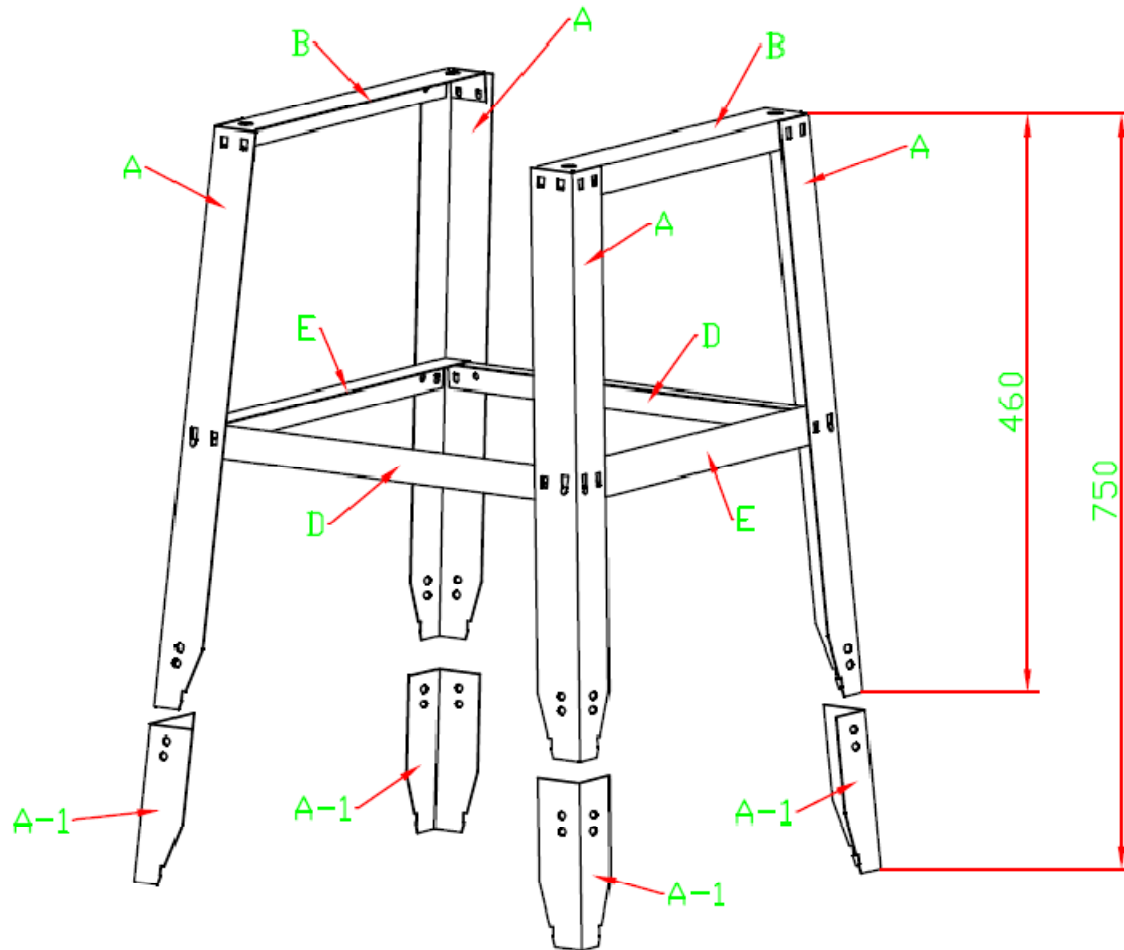
TRIO stand for mitre saw



Work height:

460mm & 750mm (design)

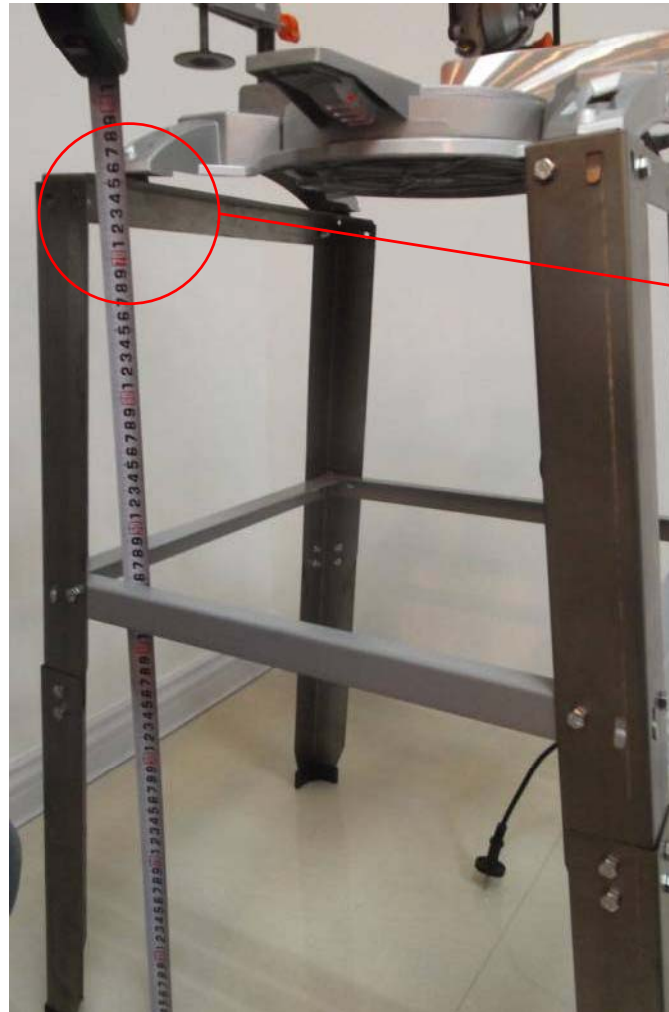
440mm & 750mm (actual size in order to match carton size of mitre saw)



TRIO stand for mitre saw



Actual height is 750mm



TRIO stand for mitre saw



Part list:

4x long leg, 4x short leg, 4x rubber feet

2x lower short bar, 2x lower long bar, 2x upper bar

36 sets screw+washer+nut



TRIO stand for mitre saw



Packing size: 460*80*80 mm



Packing length : 460mm



Packing width: 80mm



Packing height: 80mm



TRIO stand for mitre saw



Put carton of stand into color box of mitre saw

note: stand will be packed by carton (460*80*80mm)





Thank You
谢谢!

